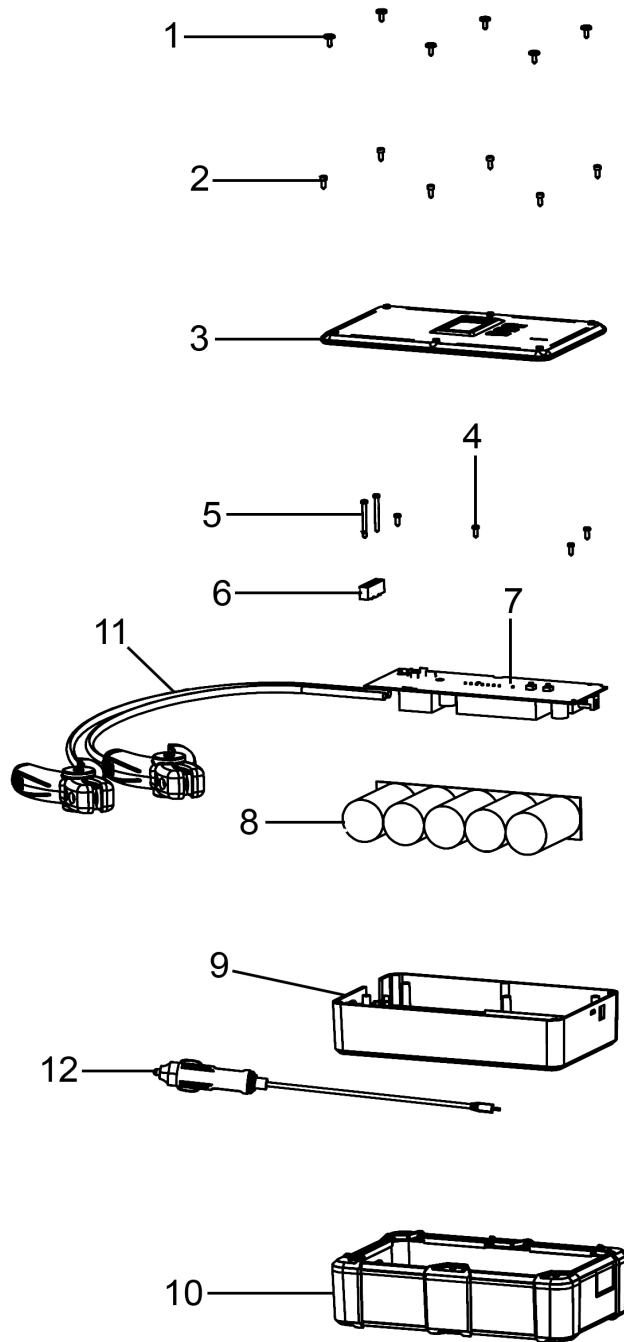




Parts Information:  
**ElectroStart® Batteryless Power Start 800A  
 12V  
 Model No: E/START800.V2**



Item	Part No.	Description
1	ESTART1600.V2-02	Screw for Top Casing
2	ESTART1600.V2-01	Hex Head Screw M3 x 20mm
3	ESTART800.V2-03	Upper Cover
4	ESTART1600.V2-04	Pan Head Screw 3 x 16mm
5	ESTART1600.V2-05	Pan Head Screw 3 x 20mm
6	ESTART800.V2-06	Connector

Item	Part No.	Description
7	ESTART800.V2-07	PCB
8	ESTART800.V2-08	Capacitor
9	ESTART800.V2-09	Lower Cover
10	ESTART800.V2-10	Rubber Protection Cover
11	ESTART800.V2-11	Positive & Negative Clamp
12	ESTART800.V2-12	Cigarette Lighter Charging Cable

**NOTE:** It is our policy to continually improve products and as such we reserve the right to alter data, specifications and component parts without prior notice. There may be alternative versions of this product, please contact us should you require this information.

**IMPORTANT:** No liability is accepted for incorrect use of product. Spare parts must be fitted by a competent person

**WARRANTY:** Guarantee is 12 months from purchase date, proof of which will be required for any claim.

Sealey Group, Kempson Way, Suffolk Business Park, Bury St Edmunds, Suffolk. IP32 7AR



01284 757500



sales@sealey.co.uk



www.sealey.co.uk